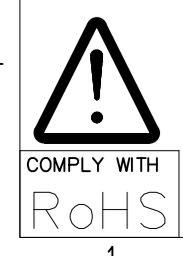
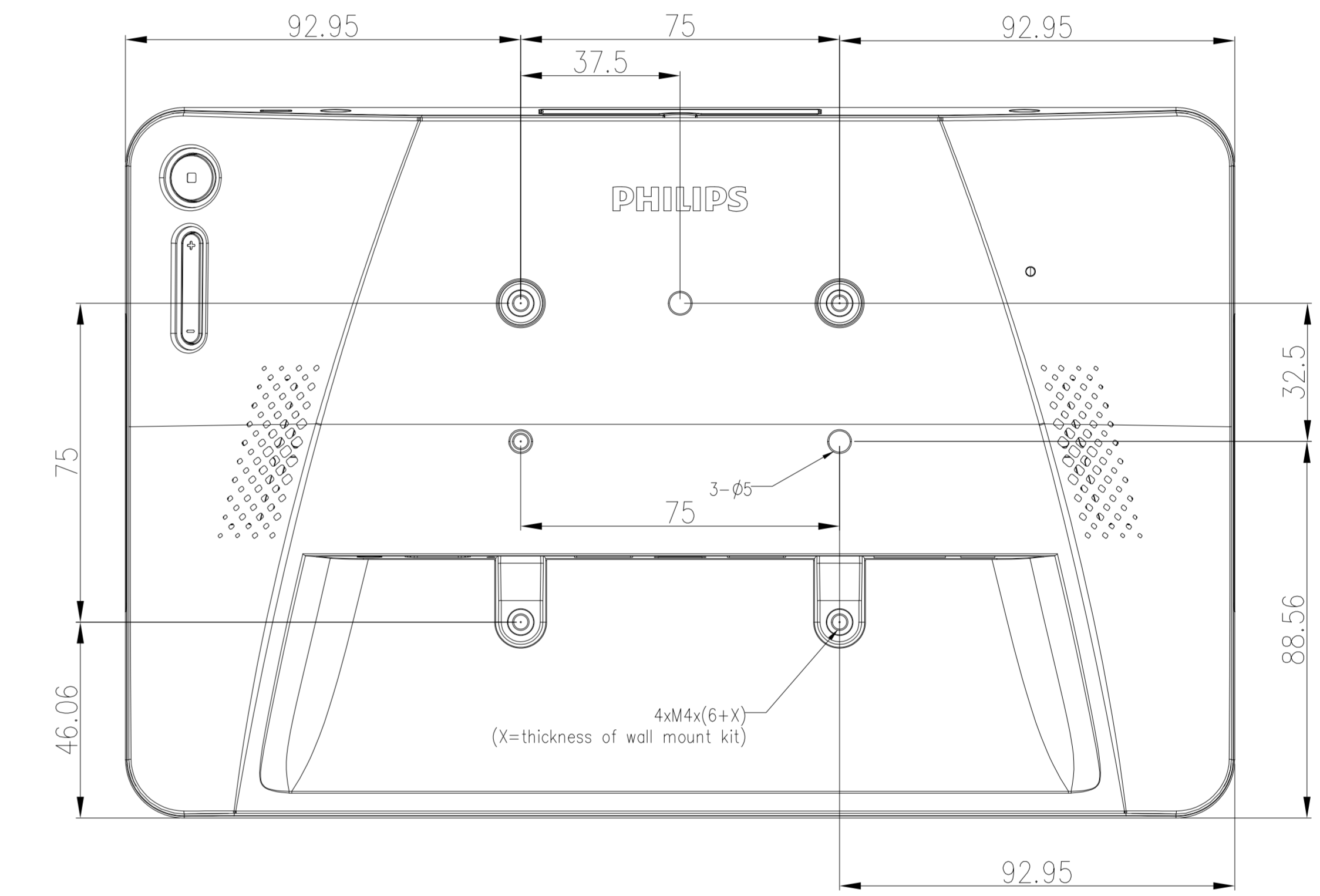
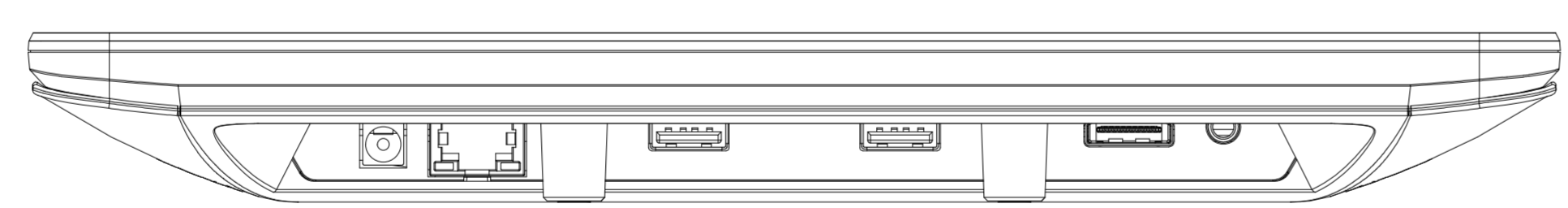
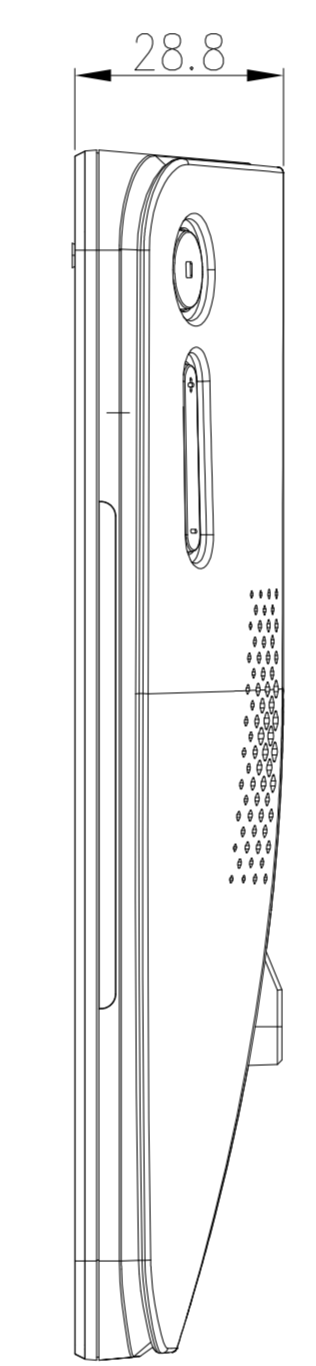
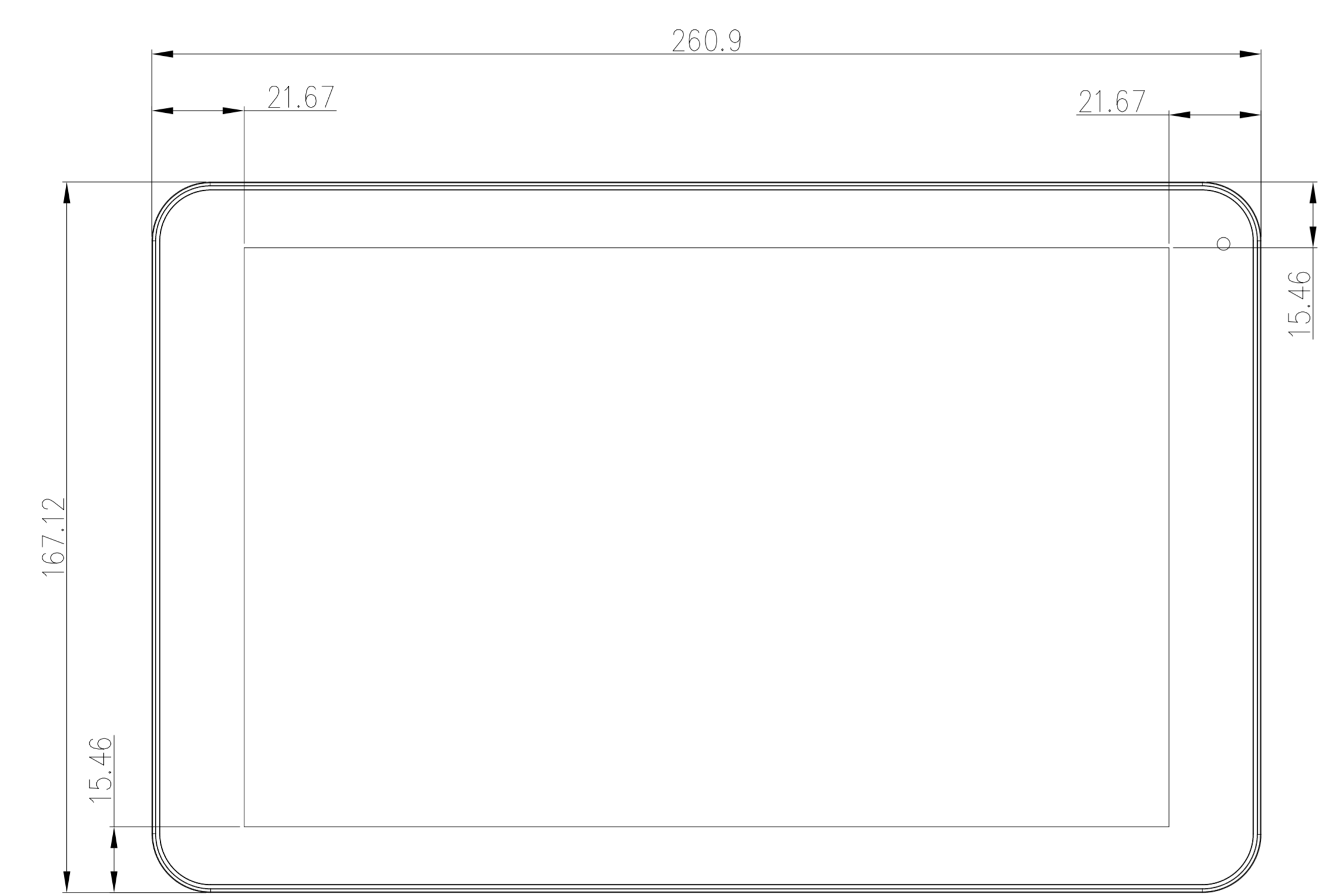
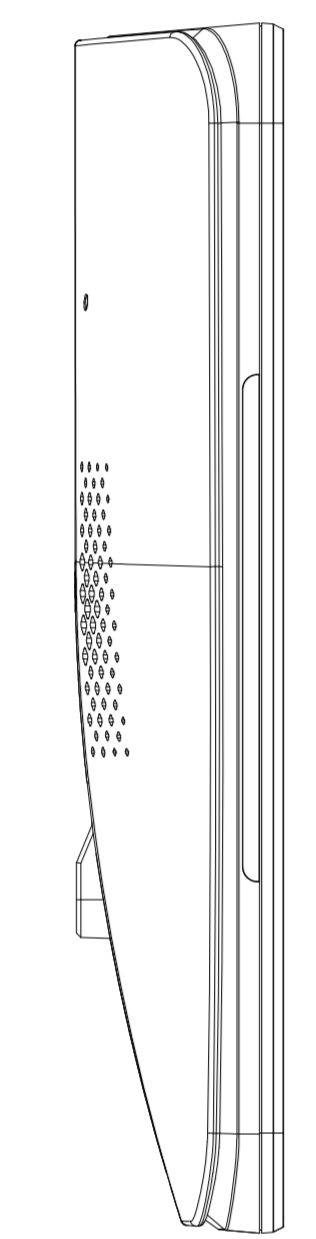
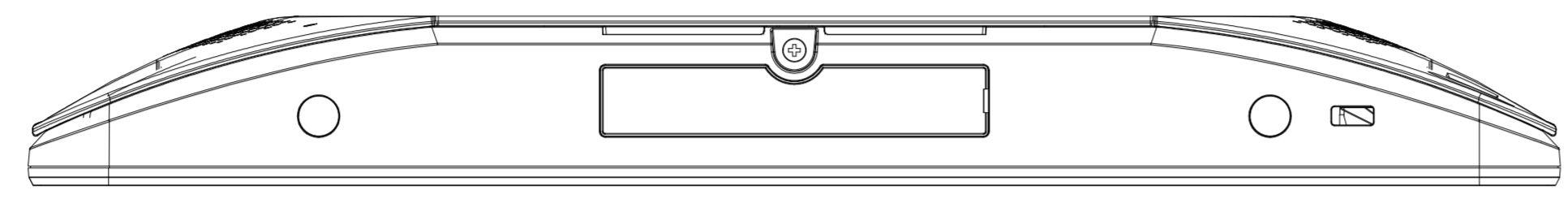


1 2 3 4 5 6 7 8 9 10 11 12 13 14 15 16 17 18

ITEM	ECN NO.	POSITION	REVISION LIST		DATE	UPDATED BY	APPROVED BY
			DESCRIPTION WAS	IS			



TOLERANCE UNLESS OTHERWISE SPECIFIED (mm)				UNIT		SCALE		DATE	
RANGE OF DIM	METAL & PLASTIC	POLYMER	CARTON	mm	mm	1:1	DATE	DATE	DATE
0-30	±0.10						2016-09-08		
30-60	±0.15								
60-120	±0.20								
120-300	±0.25								
300-600	±0.30								
600-1200	±0.40								
1200+UP/DN	±0.50								
ANGLE (SHEET METAL)				mm		DATE		DATE	
Internal Diameter of Plastic Screw Boss				mm		DATE		DATE	
				±0.05					

TPV Technology Ltd

1 2 3 4 5 6 7 8 9 10 11 12 13 14 15 16 17 18