

4

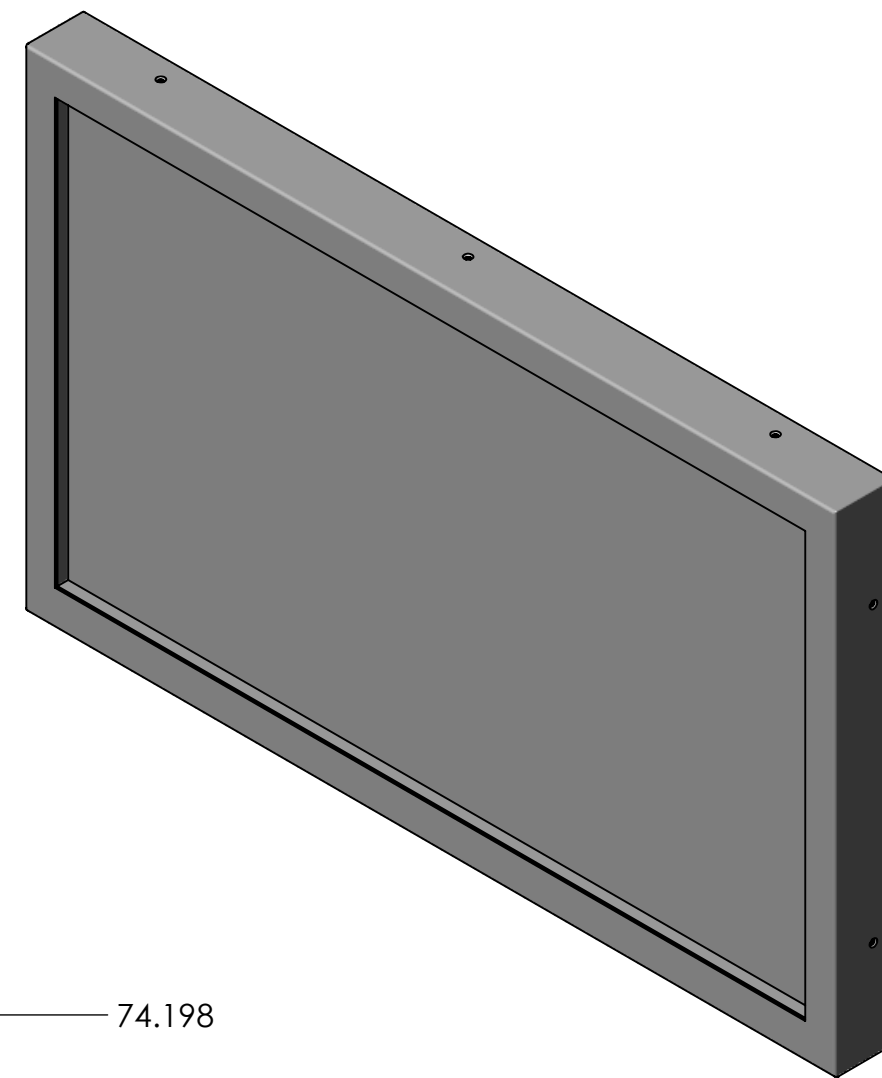
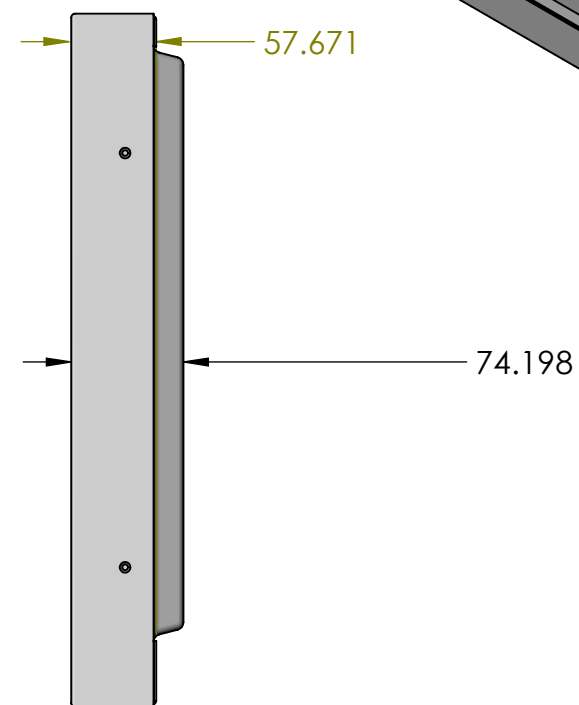
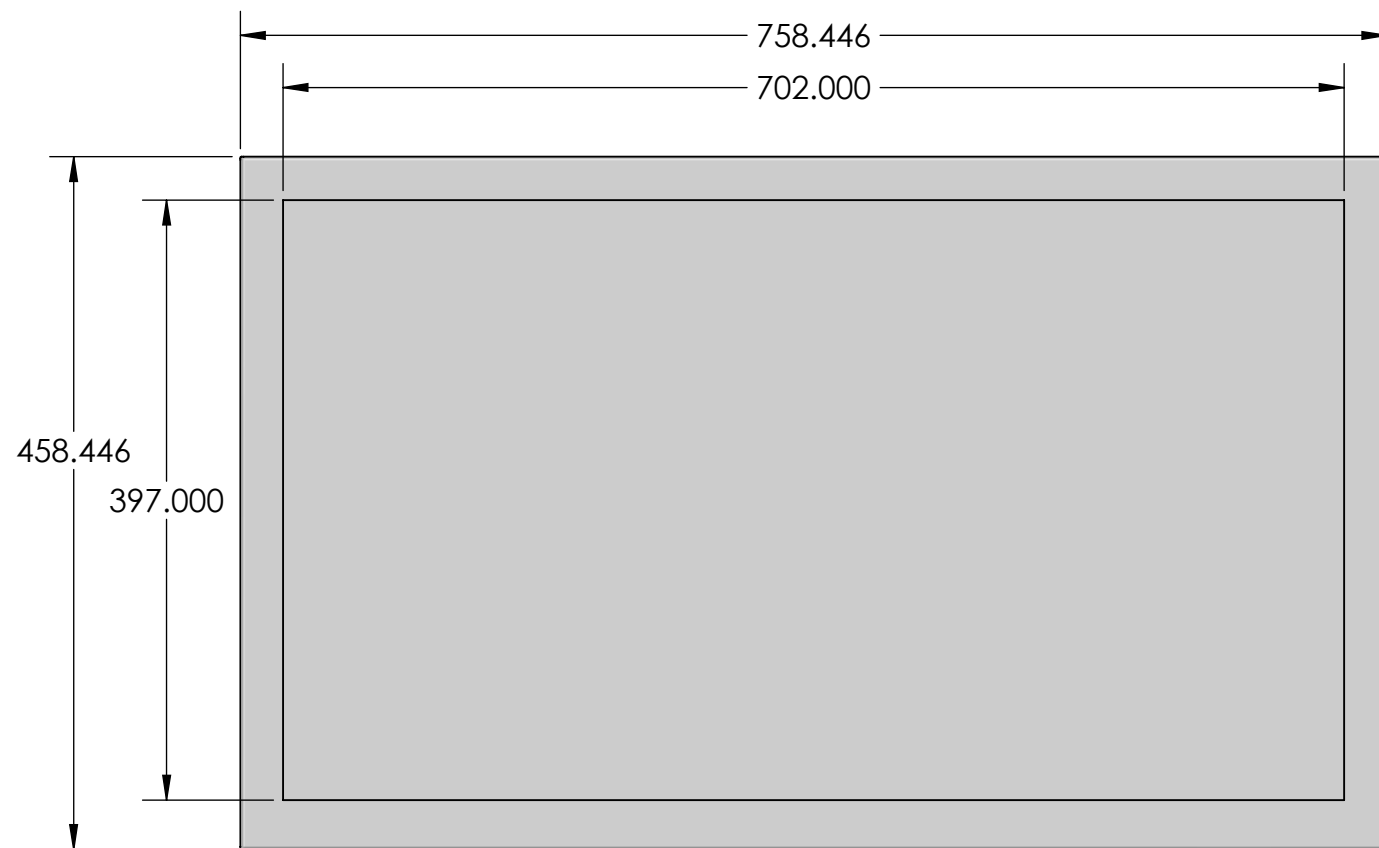
3

2

1

B

B



A

A

CUSTOMER SIGNATURE:

4

3

2

1

UNLESS OTHERWISE SPECIFIED:		NAME	DATE	<b>TSItouch</b> TITLE: <b>BZC032017</b> <b>DIMENSIONS</b>		
DIMENSIONS ARE IN MILLIMETERS		DRAWN	SM			1/13/17
TOLERANCES: ANGULAR: BEND ± TWO PLACE DECIMAL ±.025		CHECKED				
		ENG APPR.				
		MFG APPR.				
		Q.A.				
		COMMENTS:				
<b>PROPRIETARY AND CONFIDENTIAL</b> THE INFORMATION CONTAINED IN THIS DRAWING IS THE SOLE PROPERTY OF TSItouch. ANY REPRODUCTION IN PART OR AS A WHOLE WITHOUT THE WRITTEN PERMISSION OF TSItouch IS PROHIBITED.		INTERPRET GEOMETRIC TOLERANCING PER:				
		MATERIAL		16 GAUGE COLD ROLLED STEEL		
		FINISH		TEXTURED BLACK POWDERCOAT		
		DO NOT SCALE DRAWING				
SIZE	DWG. NO.	REV				
<b>B</b>	PHILIPS 32BDL032017 TE	<b>1</b>				
SCALE:				SHEET 1 OF 1		