

4

3

2

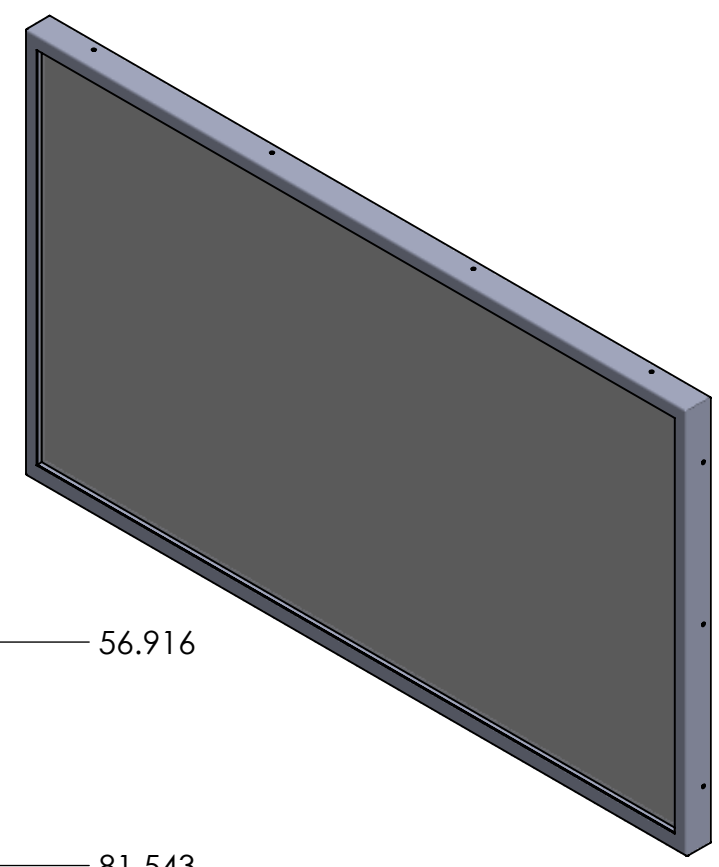
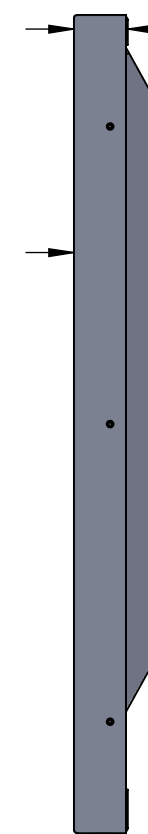
1

B

B

A

A



CUSTOMER SIGNATURE:

PROPRIETARY AND CONFIDENTIAL
 THE INFORMATION CONTAINED IN THIS DRAWING IS THE SOLE PROPERTY OF TSItouch. ANY REPRODUCTION IN PART OR AS A WHOLE WITHOUT THE WRITTEN PERMISSION OF TSItouch IS PROHIBITED.

UNLESS OTHERWISE SPECIFIED:
 DIMENSIONS ARE IN MILLIMETERS
 TOLERANCES:
 ANGULAR: BEND ±
 TWO PLACE DECIMAL ±.025

INTERPRET GEOMETRIC TOLERANCING PER:
 MATERIAL
 16 GAUGE COLD ROLLED STEEL
 FINISH
 TEXTURED BLACK POWDERCOAT
 DO NOT SCALE DRAWING

	NAME	DATE
DRAWN	NH	1/24/2017
CHECKED		
ENG APPR.		
MFG APPR.		
Q.A.		
COMMENTS:		

TITLE: TSItouch BZC065017 DIMENSIONS		
SIZE B	DWG. NO. PHILIPS 65BDL4050D TE	REV 1
SCALE:		SHEET 1 OF 1

4

3

2

1