

4

3

2

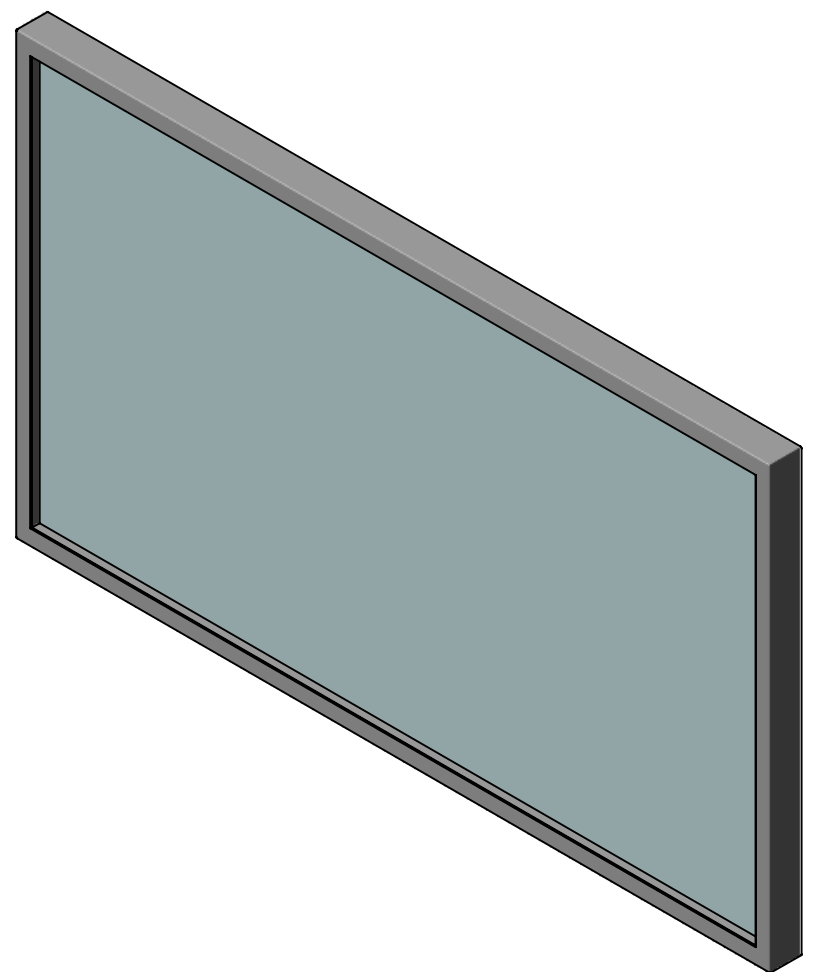
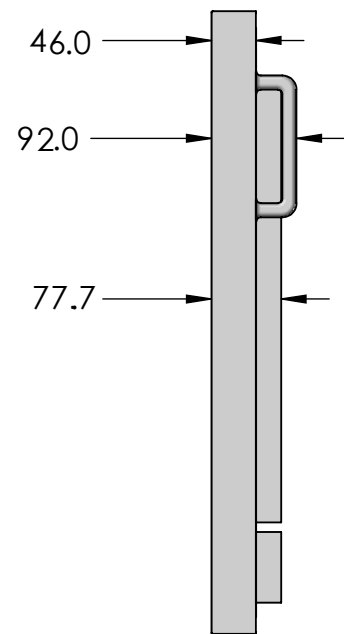
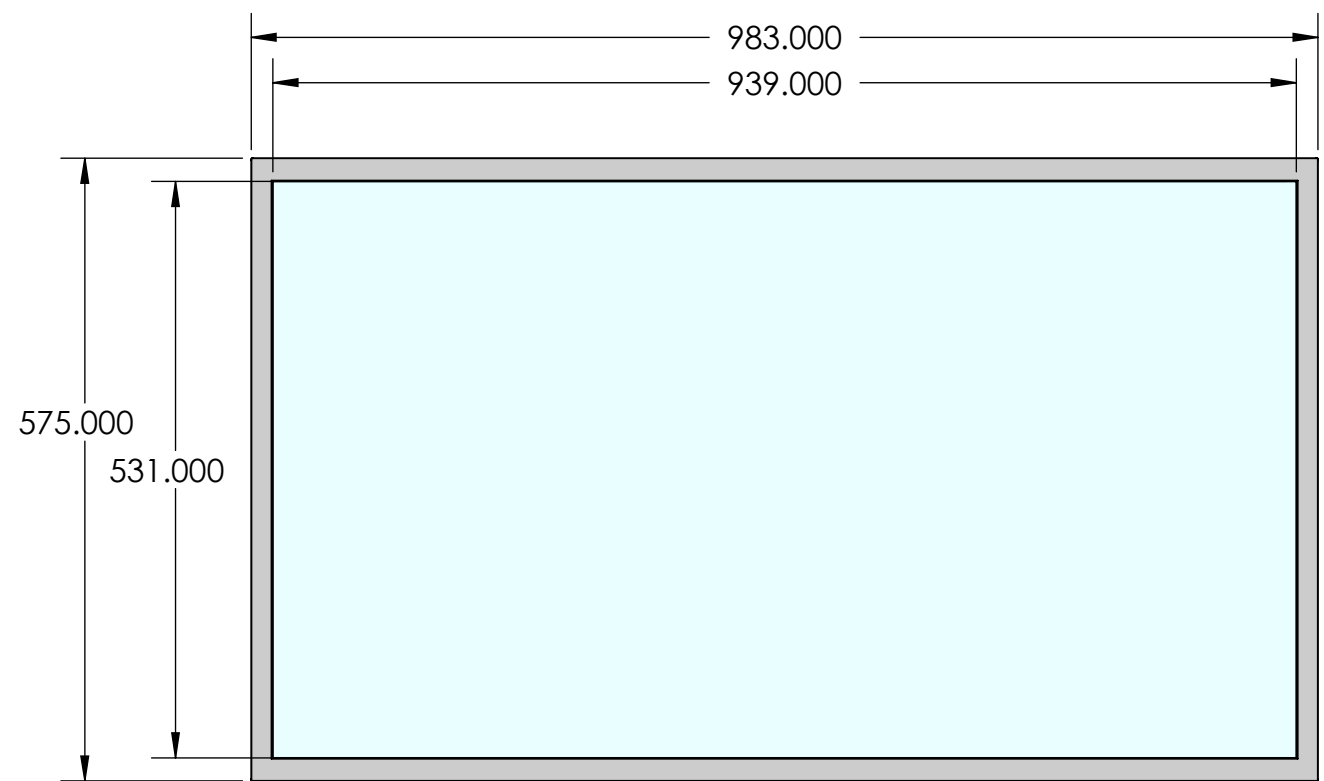
1

B

B

A

A



**SPECIFICATIONS AND DESIGN SUBJECT TO CHANGE WITHOUT NOTICE**

CUSTOMER SIGNATURE:

**PROPRIETARY AND CONFIDENTIAL**  
THE INFORMATION CONTAINED IN THIS DRAWING IS THE SOLE PROPERTY OF TSItouch. ANY REPRODUCTION IN PART OR AS A WHOLE WITHOUT THE WRITTEN PERMISSION OF TSItouch IS PROHIBITED.

UNLESS OTHERWISE SPECIFIED:  
DIMENSIONS ARE IN MILLIMETERS  
TOLERANCES:  
ANGULAR: BEND ± .025  
TWO PLACE DECIMAL ±.025

INTERPRET GEOMETRIC TOLERANCING PER:  
MATERIAL  
16 GAUGE COLD ROLLED STEEL  
FINISH  
TEXTURED BLACK POWDERCOAT  
DO NOT SCALE DRAWING

	NAME	DATE
DRAWN		
CHECKED		
ENG APPR.		
MFG APPR.		
Q.A.		
COMMENTS:		

TITLE: <b>TSItouch</b> 42BDL5055TT DIMENSIONS		
SIZE <b>B</b>	DWG. NO. PHILIPS 42BDL5055P IR	REV
1		

4

3

2

1